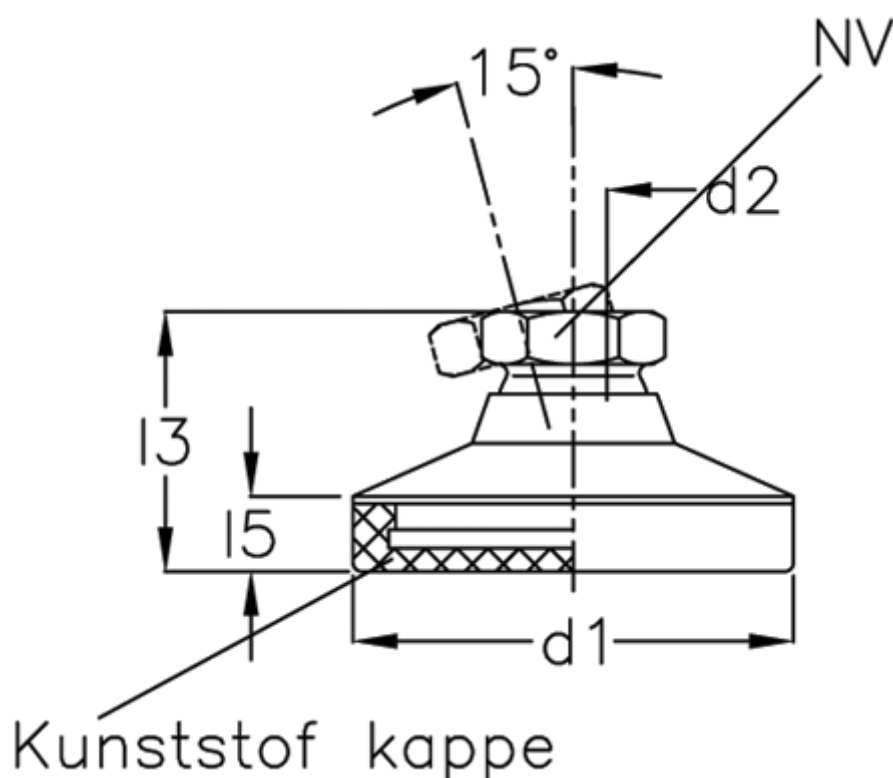


Article number: 20343560M12KRE
Description: E+G levelling foot
GN 343.5-60-M12-KRE

Measures



d1	= 60
d2	= 12
l3	= 37.5
l5	= 10
NV	= 17
Static load (N)	= 30
t min	= 11.5